

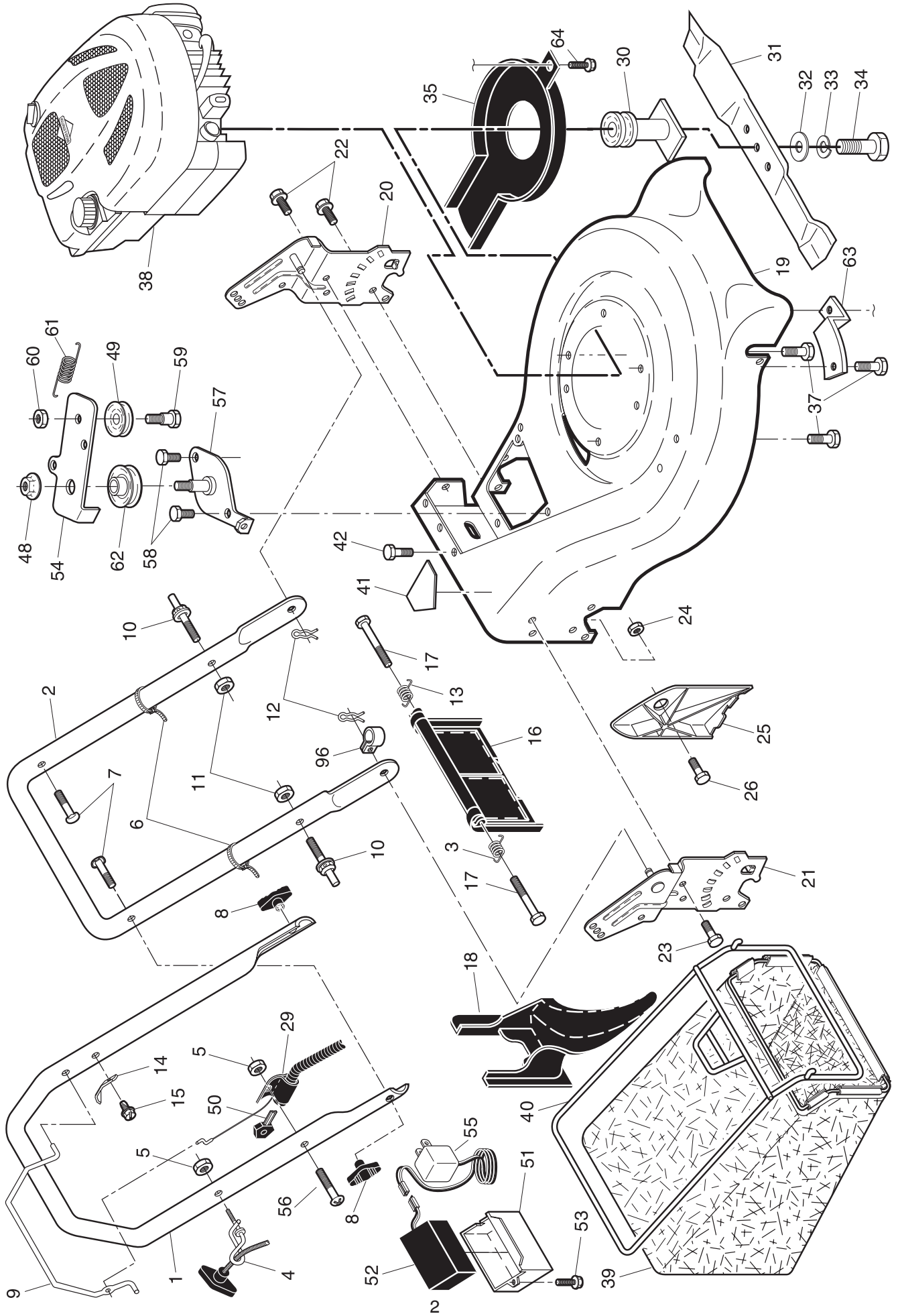
ILLUSTRATED PARTS LIST

MODEL NUMBER 553CME

PRODUCT NUMBER 961 41 00-14

MFG. ID. NUMBER 96141001403

ROTARY LAWN MOWER - - MODEL NUMBER 553CME (96141001403) PRODUCT NUMBER 961 41 00-14



ROTARY LAWN MOWER - - MODEL NUMBER 553CME (96141001403) PRODUCT NUMBER 961 41 00-14

KEY NO.	PART NO.	DESCRIPTION	KEY NO.	PART NO.	DESCRIPTION
1	532 17 80-67	Handle, Upper, Deluxe Comfort	34	532 85 10-84	Screw, Hex Head 3/8-24 x 1.38
2	532 19 60-05	Handle, Lower	35	532 18 87-86	Shield, Debris
3	532 40 54-16	Spring, Rear Door, RH	37	532 15 04-06	Bolt, Engine
4	532 19 47-88	Guide, Rope, Side	38	- - -	Engine, Briggs & Stratton, Model No. 12F805-1974-EA (Order parts from engine manufacturer)
5	532 13 20-04	Nut, Hex, with Lockwasher Insert 1/4-20	39	532 41 06-76	Bag, Grass Catcher
6	532 06 64-26	Wire, Tie	40	532 40 74-53	Frame, Grass Bag
7	532 19 15-74	Bolt, Handle 5/16-18 x 1.75	41	532 18 21-66	Decal Danger
8	532 19 19-38	Knob, Handle	42	532 05 45-83	Screw, Self Tapping
9	532 19 18-19	Bail, Control, Wire, Deluxe Comfort, Black	48	532 40 91-49	Nut
10	532 18 88-21	Bolt, Carriage	49	532 16 60-43	Idler Pulley
11	873 75 11-53	Nut, Hex, with Lockwasher Insert 5/16-18 UNC	50	532 18 03-31	Key
12	532 05 17-93	Cotter, Hairpin	51	532 19 34-76	Box, Battery
13	532 40 54-15	Spring, Rear Door, LH	52	532 18 95-89	Battery
14	532 12 51-62	Bracket, Upstop	53	817 41 13-18	Screw, Hex Washer Head #13 x .75
15	532 75 06-34	Screw, Tapping, Hex Washer Head #10-24	54	532 19 68-12	Idler Arm
16	532 40 88-88	Rear Door Assembly	55	532 19 24-36	Charger, Battery
17	532 18 41-93	Bolt, Rear Door	56	532 18 61-59	Screw
18	532 19 81-70	Plug, Mulcher	57	532 19 33-15	Bracket, Idler
19	532 40 97-11	Kit, Lawn Mower Housing Assembly	58	532 05 78-08	Screw
20	532 19 40-29	Handle Bracket Assembly, LH	59	532 16 08-29	Bolt
21	532 19 40-31	Handle Bracket Assembly, RH	60	532 15 55-52	Nut
22	532 15 00-78	Screw, Hex Washer Head	61	532 18 22-26	Spring Return
23	532 16 31-83	Bolt, Hex Head 5/16-18 x 5/8	62	532 19 37-91	Pulley Idler
24	873 80 05-00	Nut, Hex, with Lockwasher Insert 5/16-18	63	532 19 09-39	Bracket
25	532 16 13-33	Baffle, Side	64	532 19 23-25	Screw
26	532 16 34-09	Screw #12 x 5/8	96	532 19 79-91	Clip, Cable
29	532 19 49-53	Key Start Switch (Includes 1 Key)	- -	532 18 21-34	Warning Decal (not shown)
30	532 18 91-79	Adapter, Blade/Pulley	- -	532 41 00-90	Operator's Manual, European
31	532 19 93-77	Blade, 21"	- -	532 41 00-94	Operator's Manual, Scandinavian
32	532 85 10-74	Washer, Hardened	- -	532 41 00-95	Operator's Manual, East Bloc
33	532 85 02-63	Lockwasher, Helical Spring 3/8			

NOTE: All component dimensions given in U.S. inches. 1 inch = 25.4 mm

IMPORTANT: Use only Original Equipment Manufacturer (O.E.M.) replacement parts. Failure to do so could be hazardous, damage your lawn mower and void your warranty.

ROTARY LAWN MOWER - - MODEL NUMBER 553CME (96141001403) PRODUCT NUMBER 961 41 00-14

KEY NO.	PART NO.	DESCRIPTION	KEY NO.	PART NO.	DESCRIPTION
1	532 40 98-95	Cable, Drive	37	532 16 14-63	Retainer, Front Shaft
2	532 16 14-73	Bail, Control, Drive	38	532 16 34-09	Screw #12 x 5/8
3	532 16 45-57	Bracket, Downstop	39	532 40 70-59	Bolt
4	532 75 06-34	Screw, Tapping, Hex Washer Head #10-24	40	532 41 13-24	Wheel & Tire Assembly, Front 8 x 2
5	532 40 28-07	Cover, Drive	41	532 18 83-30	Pinion Asm., RH
6	532 75 06-34	Screw, Threaded, Rolled #10-25 x .50	45	532 06 77-25	Washer 1/2 x 1-1/2 x .134
7	532 18 22-12	V-Belt	48	532 85 12-26	Washer
9	532 19 41-28	Pulley, Driven	49	532 18 83-31	Pinion Asm., LH
13	532 18 86-45	Gearcase Assembly, Complete	50	532 19 96-87	Screw
16	532 40 71-47	Rod, Connecting	51	532 18 75-30	Case, Lower
17	532 40 96-16	Spring, Extension	52	532 18 75-31	Case, Upper
18	532 19 61-62	Spring, Selector	53	532 18 75-32	Gear, 24 Teeth
19	532 19 00-69	Knob, Selector Spring	54	532 18 75-33	Shaft, Input
20	812 00 00-22	E-Ring 7/8	55	532 18 35-05	Wire, Formed
21	532 16 33-65	Bearing Support	56	532 18 35-06	Bearing, Ball
22	532 16 99-11	Bearing, Ball	57	532 18 35-08	Seal, Output Shaft
23	532 16 45-55	Retainer, Drive Assembly	58	532 18 35-09	Washer
24	532 05 78-08	Screw, Tapping, Hex Head 1/4-20 x .75	59	532 18 35-11	Bushing
25	532 17 50-98	Drive Pawl	60	532 19 12-49	Shaft, Output
26	532 17 51-05	Retainer Dr., LH	61	532 18 35-13	Screw
27	532 17 51-03	Gear	62	532 18 35-14	Seal, Input Shaft
28	812 00 00-58	E-Ring 7/16	63	532 17 51-02	Retainer Dr., RH
29	532 18 94-03	Cover, Dust, Wheel	64	532 18 82-91	Spring Torsion
32	532 40 25-67	Wheel & Tire Assembly, Rear, Driven 8 x 2	65	532 17 51-04	Disc Drive
33	532 40 91-48	Nut, Hex, Flangelock	66	532 19 17-30	Nut
35	532 40 98-92	Shaft Assembly, Rear	68	532 18 41-72	Seal Friction
36	532 41 09-33	Shaft Assembly, Front			

NOTE: All component dimensions given in U.S. inches. 1 inch = 25.4 mm

IMPORTANT: Use only Original Equipment Manufacturer (O.E.M.) replacement parts. Failure to do so could be hazardous, damage your lawn mower and void your warranty.